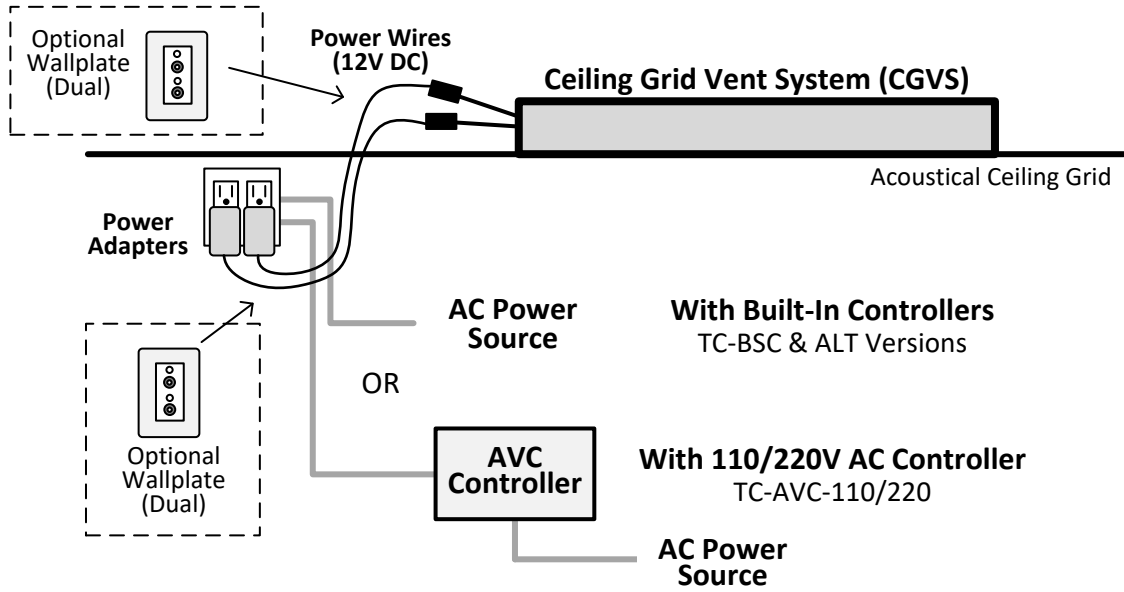
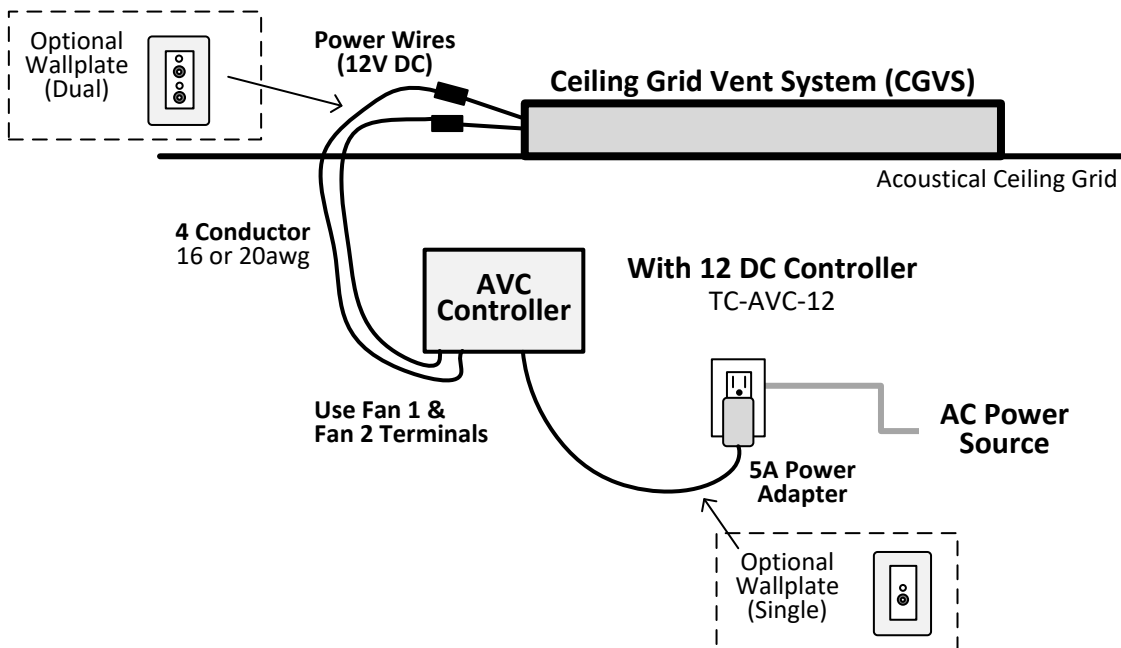


# Ceiling Grid Vent System – Wiring based on Controller Type

## Wiring for Units with Built-In Controllers (BSC & ALT) and AVC (110/220V AC) Controller



## Wiring for Unit with AVC (12V DC) Version



## Optional Wallplate for DC Wiring

Wallplates utilize a decora insert so can be used in a multi-gang box.

Use 16-20awg wire to connect wallplates and units – 2 conductor or 4 for the Dual Wallplate

